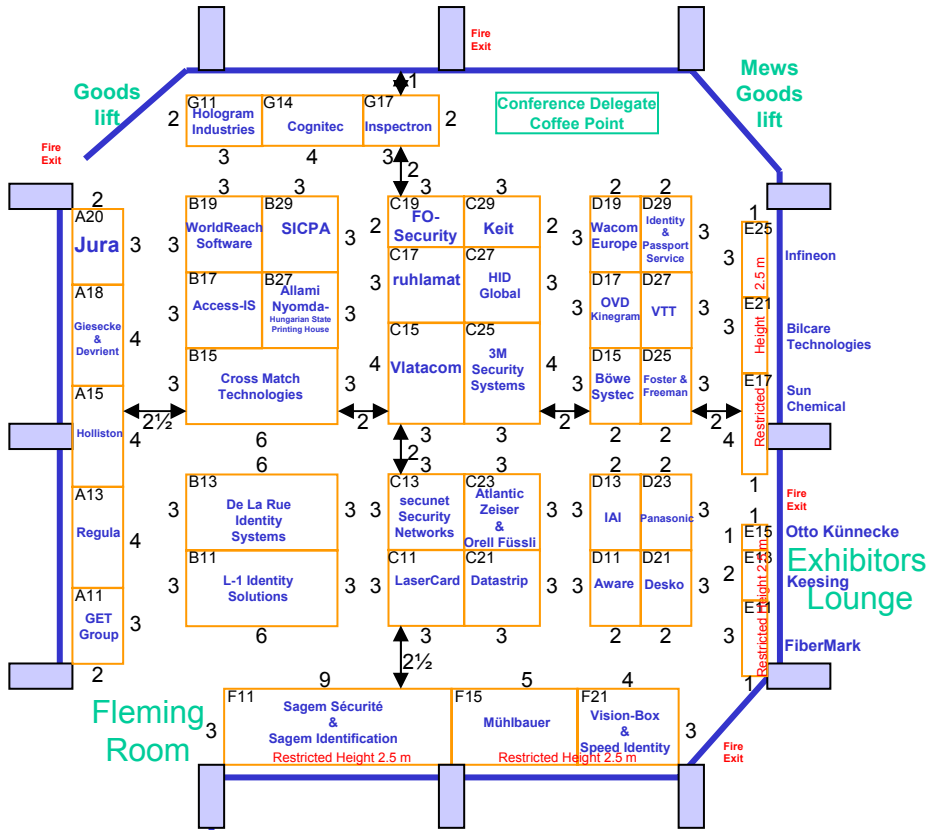
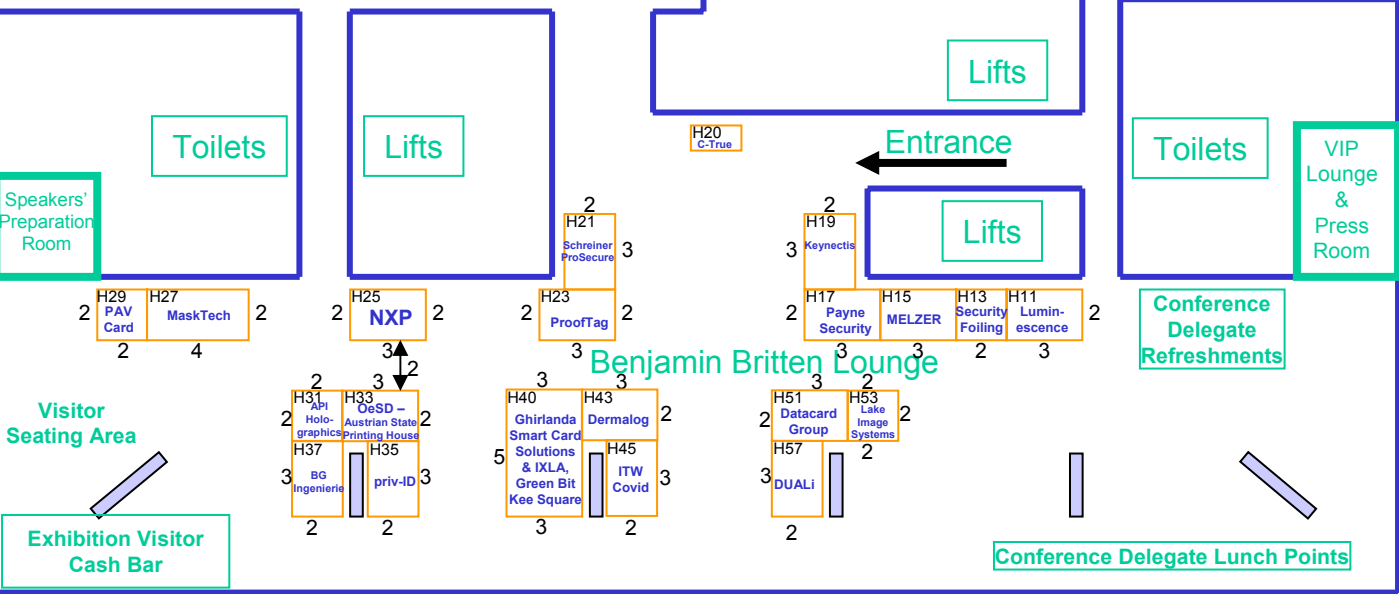
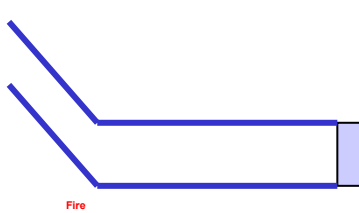


# Exhibition Floor Plan

Whittle Room  
- SDW Conference



Fleming Room



**This plan is intended for guidance only and does not form any contract, representation or warranty, expressed or implied**

Layout subject to alteration at the discretion of The Organiser | All dimensions in metres. Scale 1:300. Note 1m = 3ft. 3.7 ins.

**Exhibition Enquiries:** Pam Chatten, Braecot, Cray Road, Swanley, Kent, BR8 8LN, UK  
 Tel: +44 (0) 1322 663006; Fax: +44 (0) 1322 615868; Email: p.chatten@sciencemediapartners.com

26 January 2010